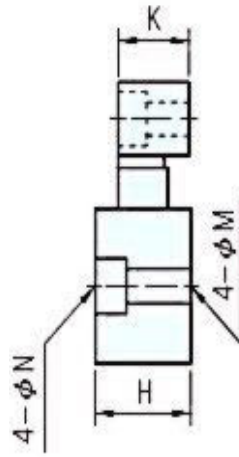
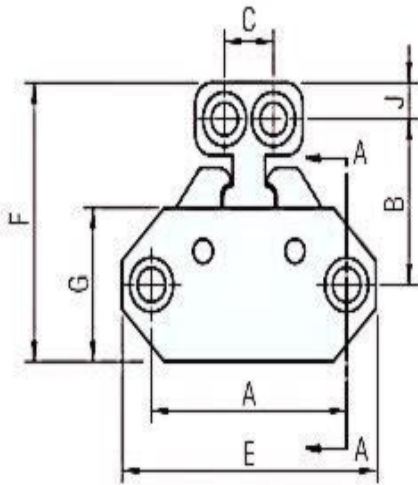
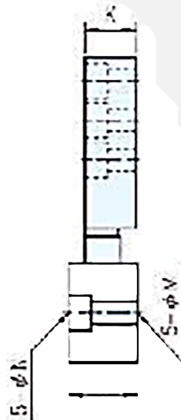
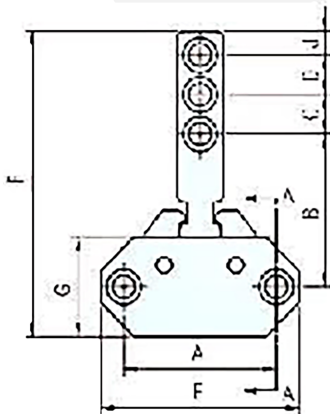


Latch



Latch Type C

| CODE | A | B | C | E | F | G | H | J | K | M | N | Force | |
|--------|----|----|----|----|----|----|------|---|----|------|-----------|--------|--|
| | | | | | | | | | | | | (Kg) | |
| MD - C | 60 | 40 | 15 | 78 | 68 | 38 | 27 | 9 | 20 | 8.5 | 13.6 X9 | 300 | |
| HD - C | 72 | 58 | 17 | 91 | 98 | 51 | 39.4 | 9 | 31 | 10.6 | 16.6 X 11 | 500 | |



Latch Type CL

| CODE | A | B | C | D | E | F | G | H | J | K | M | N | Force | |
|---------|----|----|----|----|----|------|----|------|---|----|------|-----------|--------|--|
| | | | | | | | | | | | | | (Kg) | |
| MD - CL | 60 | 58 | 15 | 15 | 78 | 11.6 | 38 | 27 | 9 | 20 | 8.5 | 13.6 X9 | 300 | |
| HD - CL | 72 | 73 | 17 | 17 | 91 | 142 | 51 | 39.4 | 9 | 31 | 10.6 | 16.6 X 11 | 500 | |